

# SNO-7084R



3Megapixel Weatherproof Network IR Camera

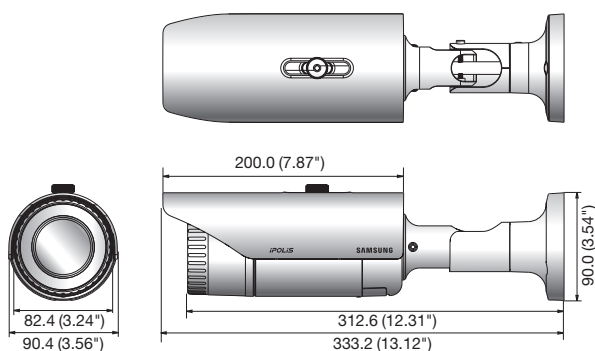


## Key Features

- Max. 3M (2048 x 1536) resolution
- 30fps@2,048 x 1,536 / 60fps@1,920 x 1,080
- 3 ~ 8.5mm (2.8x) motorized varifocal lens
- Simple focus (Motorized VF), P-Iris
- Day & Night (ICR), Enhanced DIS, Defog
- 3M real-time WDR (Max. 120dB)
- micro SD/SDHC/SDXC memory slot (4GB included)
- Multi-crop streaming
- IR LED (20ea), PoE, IP66, IK10, Bi-directional audio support

## Dimensions

Unit : mm (inch)



SNO-7084RN/P	
<b>VIDEO</b>	
Imaging Device	1/2.8" 3.2M CMOS
Total / Effective Pixels	2,065(H) x 1,565(V) / 2,065(H) x 1,553(V)
Scanning System	Progressive
Min. Illumination	Color : 0.1Lux (F1.2, 50IRE), 0.06Lux (F1.2, 30IRE), 0.0017Lux (2sec, F1.2, 30IRE) B/W : 0Lux (F1.2, 50IRE), 0Lux (F1.2, 30IRE), 0Lux (2sec, F1.2, 50IRE)
S / N Ratio	50dB
Video Output	CVBS : 1.0Vpp / 75Ω composite, 720 x 480(N), 720 x 576(P), for installation, Connector type
<b>LENS</b>	
Focal Length (Zoom Ratio)	3 ~ 8.5mm (2.8x) motorized varifocal
Max. Aperture Ratio	F1.2
Angular Field of View	H : 100.12°(Wide) ~ 35.38°(Tele) / V : 73.76°(Wide) ~ 26.58°(Tele)
Min. Object Distance	0.5m (1.64ft)
Focus Control	Simple focus (Motorized V/F) / Manual, Remote control via network (Manual, Simple focus)
Lens Type / Mount Type	DC auto iris, P-Iris / Board-in type
<b>OPERATIONAL</b>	
IR LED	20ea
Viewable Length	30m (98.43ft)
Camera Title	Off / On (Displayed up to 45 characters)
Day & Night	Auto (ICR) / Color / B/W / External / Schedule
Backlight Compensation	Off / BLC / WDR
Wide Dynamic Range	120dB
Contrast Enhancement	SSDR (Samsung Super Dynamic Range) (Off / On)
Digital Noise Reduction	SSNR III (2D+3D noise filter) (Off / On)
Digital Image Stabilization	Off / On
Defog	Off / Auto / Manual
Motion Detection	Off / On (4 zones with 4-sided polygon)
Privacy Masking	Off / On (32 zones with 4-sided polygon)
Gain Control	Off / Low / Middle / High
White Balance	ATW / AWC / Manual / Indoor / Outdoor
Electronic Shutter Speed	Minimum / Maximum / Anti flicker (1 ~ 1/12,000sec)
Flip / Mirror	Off / On
Intelligent Video Analytics	Tampering, Virtual line, Enter / Exit, (Dis)Appear, Audio detection, Face detection with metadata
Alarm I/O	Input 1ea / Output 1ea
Alarm Triggers	Motion detection, Tampering, Audio detection, Face detection, Network disconnection, Video analytics, Alarm input
Alarm Events	File upload via FTP and E-mail, Notification via E-mail, Local storage (SD/SDHC/SDXC) or NAS recording at Event, External output
<b>NETWORK</b>	
Ethernet	RJ-45 (10/100BASE-T)
Video Compression Format	H.264 (MPEG-4 part 10/AVC), MJPEG
Resolution	2048 x 1536, 1920 x 1080, 1600 x 1200, 1280 x 1024, 1280 x 960, 1280 x 720, 1024 x 768, 800 x 600, 800 x 450, 640 x 480, 640 x 360, 320 x 240, 320 x 180
Max. Framerate	H.264 : Max. 30fps@2048 x 1536, 1600 x 1200, Max 60fps@the other resolutions MJPEG : Max. 10fps@2048 x 1536 Max. 15fps@1920 x 1080, 1600 x 1200, 1280 x 1024, 1280 x 960, 1280 x 720, 1024 x 768 Max. 30fps@800 x 600, 800 x 450, 640 x 480, 640 x 360, 320 x 240, 320 x 180
Smart Codec	Manual mode (Area-based : 5ea), Face detection mode
Video Quality Adjustment	H.264 : Compression level, Target bitrate level control, MJPEG : Quality level control
Bitrate Control Method	H.264 : CBR or VBR, MJPEG : VBR
Streaming Capability	Multiple streaming (Up to 10 profiles)
Audio In	Selectable (Mic in / Line in), Supply voltage : 2.5V DC (4mA), Input impedance : approx. 2K Ohm
Audio Out	Line out (3.5mm mono jack), Max output level : 1 Vrms
Audio Compression Format	G.711 u-law/G.726 selectable, G.726 (ADPCM) 8KHz, G.711 8KHz G.726 : 16Kbps, 24Kbps, 32Kbps, 40Kbps
Audio Communication	Bi-directional audio
IP	IPv4, IPv6
Protocol	TCP/IP, UDP/IP, RTP(UDP), RTP(TCP), RTCP, RTSP, NTP, HTTP, HTTPS, SSL, DHCP, PPPoE, FTP, SMTP, ICMP, IGMP, SNMPv1/v2c/v3(MIB-2), ARP, DNS, DDNS, QoS, PIM-SM, UPnP, Bonjour
Security	HTTPS(SSL) login authentication, Digest login authentication IP address filtering, User access log, 802.1x authentication
Streaming Method	Unicast / Multicast
Max. User Access	15 users at unicast mode micro SD/SDHC/SDXC (4GB included)
Edge Storage	Motion images recorded in the SDXC/SDHC/SD memory card can be downloaded NAS (Network Attached Storage)
Application Programming Interface	ONVIF profile S, HTTP API (SUNAPI) 2.0, S/NP 1.2
Webpage Language	English, French, German, Spanish, Italian, Chinese, Korean, Russian, Japanese, Swedish, Danish, Portuguese, Turkish, Polish, Czech, Rumanian, Serbian, Dutch, Croatian, Hungarian, Greek, Norwegian, Finnish
Web Viewer	Supported OS : Windows XP / VISTA / 7 / 8 / 8.1, MAC OS X 10.7 Supported Browser : Microsoft Internet Explorer (Ver. 11 ~ 8) Mozilla Firefox (Ver. 19 ~ 9) * Windows only Google Chrome (Ver. 25 ~ 15) * Windows only Apple Safari (Ver. 6.0.2(Mac OS X 10.8, 10.7 only), 5.1.7) * Mac OS X only
Central Management Software	SmartViewer, SSM
<b>ENVIRONMENTAL</b>	
Operating Temperature / Humidity	24V AC : -50°C ~ +55°C (-58°F ~ +131°F) / Less than 90% RH 12V DC, PoE : -20°C ~ +55°C (-4°F ~ +131°F) / Less than 90% RH *Start up should be done at above -10°C (+14°F)
Storage Temperature / Humidity	-30°C ~ +60°C (-22°F ~ +140°F) / Less than 90% RH
Ingress Protection / Vandal Resistance	IP66 / IK10
<b>ELECTRICAL</b>	
Input Voltage / Current	24V AC, 12V DC, PoE (IEEE802.3af class3)
Power Consumption	Max. 11.5W (12V DC), Max. 12.5W (PoE), Max. 13.0W / 19.0W (24V AC, Heater off / on) * Heater works at AC power input only
<b>MECHANICAL</b>	
Color / Material	Dark gray / Aluminium
Dimensions (WxHxD)	82.4 x 82.4 x 312.6mm (3.24" x 3.24" x 12.31") (Without sunshield)
Weight	1.19Kg (2.62 lb) (With sunshield)

\* Data recorded on an SD memory card may be lost or damaged by data access during power-off, mechanical shock, memory card detachment, or other operations. Data loss or damage can also occur when a memory card reaches end of life, which varies according to operational conditions. No guarantee is given against damage (including passive damage).

\* The latest product information / specification can be found at [www.samsungsecurity.com](http://www.samsungsecurity.com)