

MOBOTIX M15 2x 6MP AllroundDual Camera



Weatherproof



LEFT sensor



RIGHT sensor

Robust. Most Advanced Design.

The M15 features two light-sensitive image sensors and two lenses that allow the camera to generate sharp color videos and high-contrast B&W videos, even in dark situations. The electronic switching between the day and night system is automatic, with no moving parts and is based on light conditions to ensure reliable operation at any temperature and in any weather.

Technical specifications subject to change without notice. For more information on the M15 and on the entire range of MOBOTIX products, such as prices, manuals, video management software for computers and iOS devices, etc., please go to www.mobotix.com > **Products**. Or contact us by phone (+49 06302 9816-103) or email (sales@mobotix.com).



Fast, Cost-Effective Installation

The M15 ships as a complete kit, including combined wall & ceiling mounts and other mounting accessories. As with all MOBOTIX cameras, no additional software, housings or cooling/heating fans are required.



Robust Design

By design, the M15 is the most robust of the entire MOBOTIX range of products. With an IP66 weatherproof rating, it can withstand extreme temperatures and the harshest of conditions.



Fully Integrated Future-proof System

The all-in-one sensor modules can be swapped out within minutes, thanks to our new modular hardware platform. The integrated locking system ensures the sensor modules remain fixed in place.

Technical Data

Lens Options	B016 to B500 (L10 to L270)	Min. Light Sensitivity	Day Sensor: 0.1 lux at 1/60 sec Night Sensor: 0.02 lux at 1/60 sec
Image Sensors	1/1.8" CMOS (6MP) Day (Color) or Night (B&W)	Sensor Resolution	6MP: 3072×2048 pixels (Color/B&W)
Max. Frame Rate (MxPEG)	MEGA/HD: 30 fps, QXGA: 15 fps, 6MP: 8 fps, 2x 6MP: 4 fps	Compression	MxPEG, M-JPEG, JPEG, H.264 (SIP video)
DVR Recording	Internal: microSD Card External: PC/NAS (to 4 TB)	Audio	Integrated microphone & speaker, VoIP, intercom, sound recording
Operating Conditions	IP66, IK07, -30 to +60 °C	Internal Sensors	Temperature, PIR, microphone illumination, shock detector
Image Processing	MxActivitySensor, VMD, image correction, backlight	Software (free of charge)	MxManagementCenter, MOBOTIX App



M15 – Technical Specifications

Security-Vision-Systems **MOBOTIX**

Camera Variants	M15 Day	M15 Night	M15 DNight (Day & Night)
Specialties	Modular system: M15 Body MX-M15D-Sec with one or two sensor modules of choice (self-assembly)		M15 Sets with two factory-fitted sensor modules
Lenses, Sensors			
Sensor module with Fisheye Lens B016 (103° x 77°), night version optionally with long-pass filter (LPF)	MX-SM-D10-PW-6MP	MX-SM-N10-PW-6MP MX-SM-N10-LPF-PW-6MP	-
Sensor module with Ultra Wide Lens B036 (103° x 77°), night version optionally with long-pass filter (LPF)	MX-SM-D20-PW-6MP-F1.8	MX-SM-N20-PW-6MP-F1.8 MX-SM-N20-LPF-PW-6MP-F1.8	MX-M15D-Sec-DNight-D20N20-6MP-F1.8
Sensor module with Super Wide Lens B041 (90° x 67°), night version optionally with long-pass filter (LPF)	MX-SM-D22-PW-6MP-F1.8	MX-SM-N22-PW-6MP-F1.8 MX-SM-N22-LPF-PW-6MP-F1.8	MX-M15D-Sec-DNight-D22N22-6MP-F1.8
Sensor module with Wide Lens B061 (60° x 45°), night version optionally with long-pass filter (LPF)	MX-SM-D32-PW-6MP-F1.8	MX-SM-N32-PW-6MP-F1.8 MX-SM-N32-LPF-PW-6MP-F1.8	MX-M15D-Sec-DNight-D32N32-6MP-F1.8
Sensor module with Standard Lens B079 (45° x 34°), night version optionally with long-pass filter (LPF)	MX-SM-D43-PW-6MP-F1.8	MX-SM-N43-PW-6MP-F1.8 MX-SM-N43-LPF-PW-6MP-F1.8	MX-M15D-Sec-DNight-D43N43-6MP-F1.8
Sensor module with Tele Lens B119 (31° x 23°), night version optionally with long-pass filter (LPF)	MX-SM-D65-PW-6MP-F1.8	MX-SM-N65-PW-6MP-F1.8 MX-SM-N65-LPF-PW-6MP-F1.8	MX-M15D-Sec-DNight-D65N65-6MP-F1.8
Sensor module with Distant Tele Lens B237 (15° x 11°), night version optionally with long-pass filter (LPF)	MX-SM-D135-PW-6MP	MX-SM-N135-PW-6MP MX-SM-N135-LPF-PW-6MP	MX-M15D-Sec-DNight-D135N135-6MP-F1.8
Sensor module with Super-Teleobjektiv B500 (8° x 6°), Nachtvariante optional mit Langpassfilter (LPF)	MX-SM-D270-PW-6MP	MX-SM-N270-PW-6MP MX-SM-N270-LPF-PW-6MP	-
Sensor module with CS-Mount (no lens included)	MX-SM-D-CS	MX-SM-N-CS	-
Sensor module with CSVario Lens B045-100-CS	MX-SM-D045-100-CS	MX-SM-N045-100-CS	-
Image sensor with individual exposure zones	Color	B/W	Color + B/W
Sensor sensitivity in lux at 1/60 s /1 s	0,1/0,005	0,02/0,001	0,1/0,005 (Color) 0,02/0,001 (B/W)
Image sensor resolution (color or B/W sensor)	6MP (3072 x 2048)		

Hardware Functions			
Protection class M15 camera module (body)	IP66 and IK07		
Protection class M15 with 6MP sensor modules	IP66 with all modules; IK04 with modules L32 (B061), L65 (B119) and L135 (B237); IK05 with modules L20 (B036), L22 (B041) and L43 (B079); IK07 with module L10 (B016)		
Ambient temperature (range)	-30 to 60°C/-22 to 140°F		
Temporary internal DVR	64 MB		
Internal DVR, ex works	4 GB (microSD)		
Microphone/speaker	•/•		
Passive infrared sensor (PIR)	•		
Camera optics with Long-Pass Filter (LPF)	-	• (optional)	-
Integrated temperature sensor	•		
Shock detector	•		
Power consumption (typical)	< 7 watts		
Variable PoE class (factory default: 3)	2 or 3		
Interfaces Ethernet/MxBus/USB	•/•/•		
Interfaces IO and RS232	With accessory (e.g. MX-232-IO-Box)		

Image Formats, Frame Rates, Image Storage			
Maximum image format (dual image from both sensors)	2x 6MP (6144 x 2048)		
Maximum frame rate (MxPEG, max. resolution)	8 fps (6MP), 4 fps (2x 6MP)		
CIF images with 4 GB MicroSD DVR	250,000		
VGA images with 4 GB MicroSD DVR	125,000		
HD images with 4 GB MicroSD DVR	40,000		
QXGA images with 4 GB MicroSD DVR	20,000		



M15 – Technical Specifications

Security-Vision-Systems

MOBOTIX

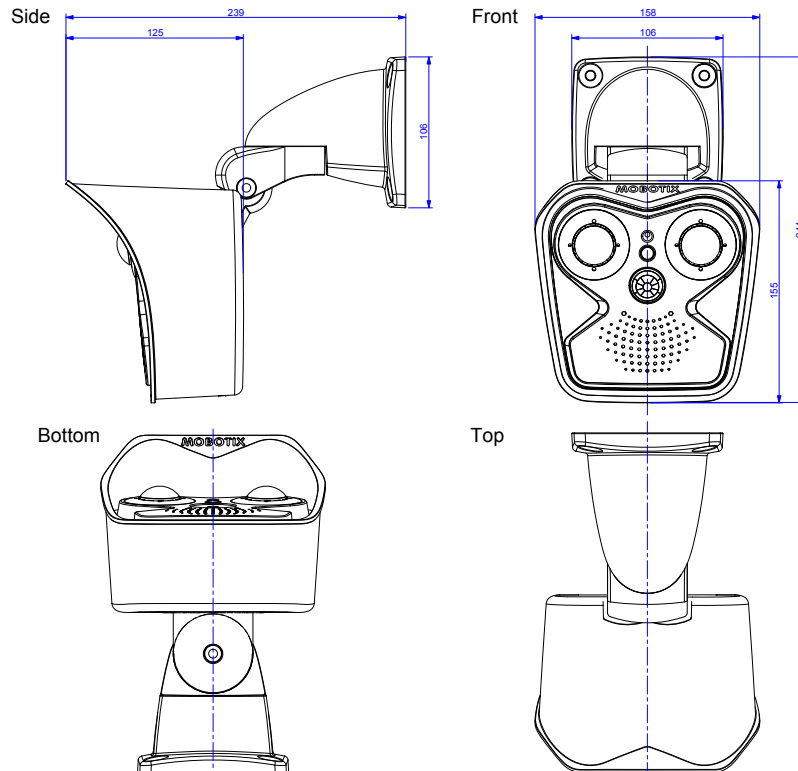
Camera Variants	M15 Day	M15 Night	M15 DNight (Day & Night)
General Functions			
Digital zoom (continuous) with panning	•	•	•
Codecs: Motion-JPEG/MxPEG/H.264 for SIP	•/•/•	•/•/•	•/•/•
Programmable exposure zones	•	•	•
Snapshot recording (pre/post-alarm images)	50	50	50
Terabyte ring buffer storage (internal/network)	•	•	•
Continuous recording with soand (0.2 to 30 fps)	•	•	•
Event recording with soand	•	•	•
Time and event control/flexible event logic	•/•	•/•	•/•
Weekly schedules/holidays	•	•	•
Web functionality (FTP, email)	•	•	•
Playback/QuadView and MultiView	•/•	•/•	•/•
Bidirectional soand in browser	•	•	•
Logo generator, animated	•	•	•
Master/Slave arming	•	•	•
Several scheduled privacy zones	•	•	•
Customized voice messages	•	•	•
VoIP telephony (audio/video, alert)	•	•	•
Remote alarm notification (network message)	•	•	•
Signal inputs/outputs and RS232 via MxBus module	•	•	•
Security Features (HTTPS/SL, IP-based access control, IEEE 802.1X network authentication)	•	•	•
Video Analysis			
Video motion detector	•	•	•
MxAnalytics	–	–	–
MxActivitySensor	•	•	•
Video Management Software			
MxManagementCenter/MxControlCenter/MxEasy	•	•	•
MOBOTIX App (iOS)	•	•	•

- available ex works
- not available

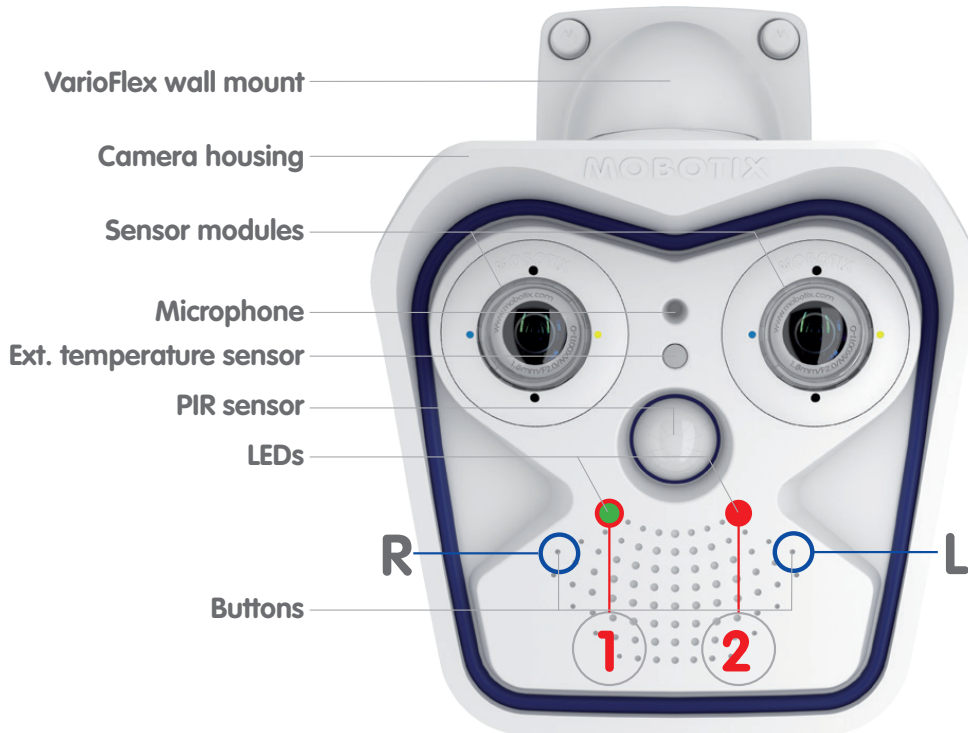
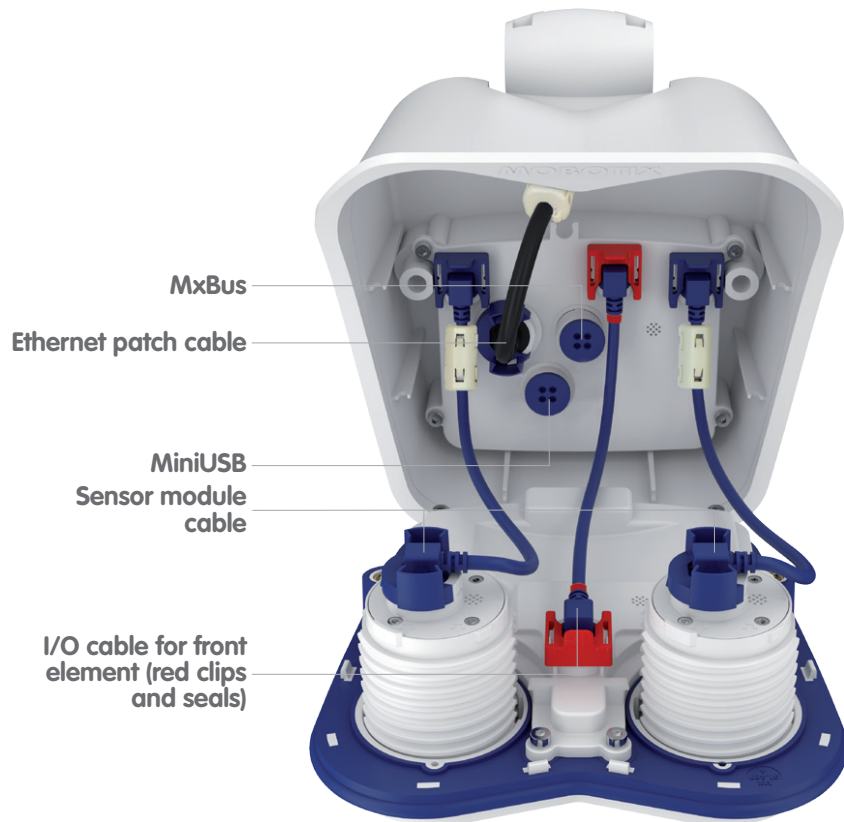
Delivered Parts M15 Camera Module (Body)



(Excerpt from the technical documentation: www.mobotix.com > Support > Manuals)



(Excerpt from technical drawings and 3D views: www.mobotix.com > Support > Image Database)

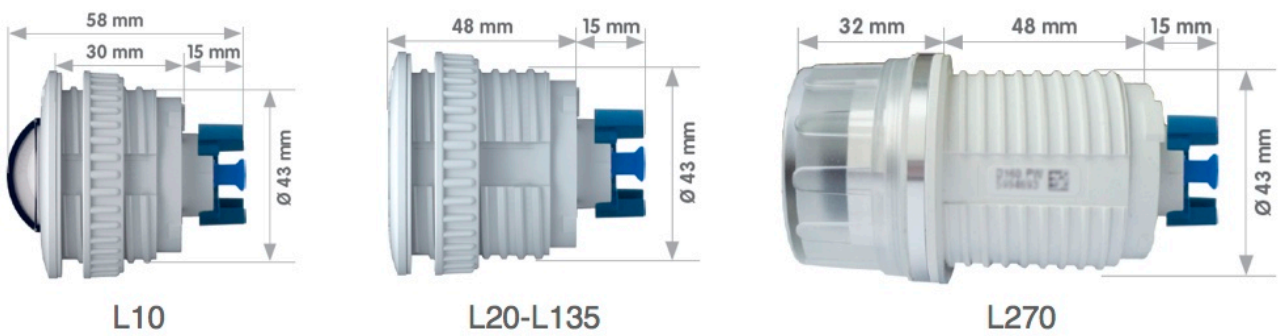


LED 1: Power (on), Error (flashes)
 LED 2: Recording (flashes)

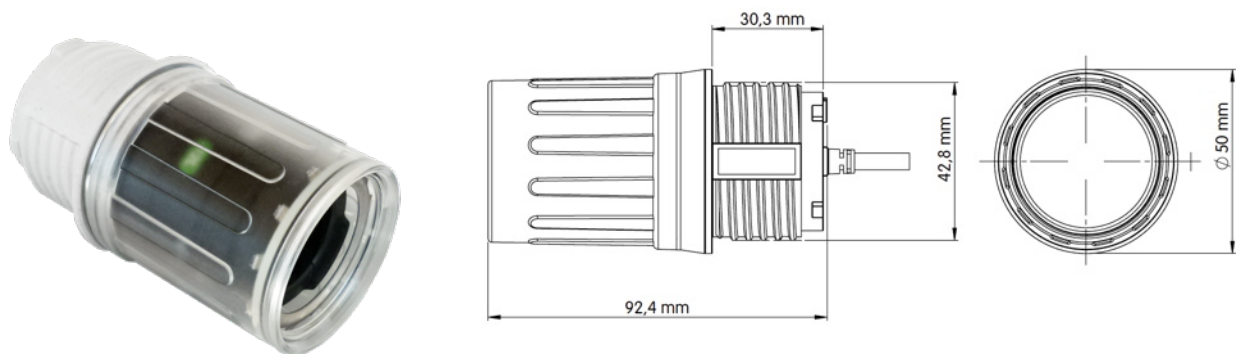
(M15 – Camera housing and connectors, excerpt from the technical documentation)



(M15 – Installation Options, excerpt from the technical documentation)



(6MP Sensor Modules – Dimensions)



(6MP Sensor Module with CS-Mount – Dimensions)